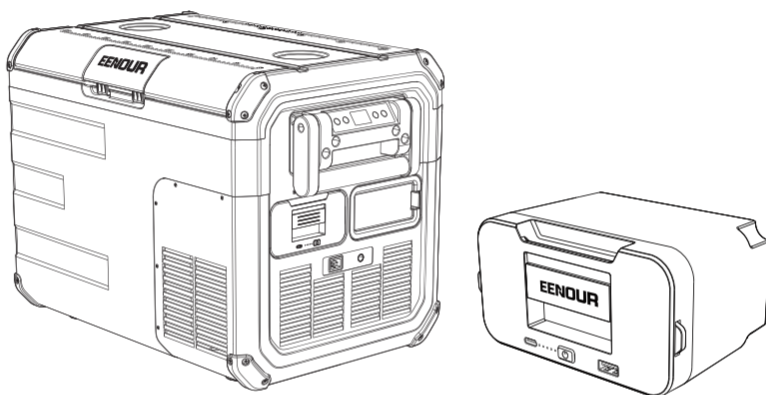


EENOUR



Car Refrigerator and Battery User Manual

**Car Refrigerator 10L/18L/23L/35L/45L
Model No. D10PLUS/D18PLUS/D18PRO/
D23PLUS/D35/D45**

**171Wh/15600mAh Battery
Model No. DB01**

Thank you very much for purchasing this product. Please read this instruction manual carefully and use the product properly.
In particular, be sure to read "Safety Precautions" before use to ensure safe operation. The warranty card is attached to the back cover of this instruction manual. Please be sure to fill it in.

ENGLISH	01~24
日本語	25~49

CONTENTS

CAR REFRIGERATOR

I. SAFETY PRECAUTIONS	01~03
II. PARTS NAME AND STANDARD ACCESSORIES	04
III. CHANGING THE DOOR OPENING AND CLOSING DIRECTION	05~06
IV. POWER SUPPLIES	07~08
V. BASIC FUNCTIONS AND USAGE	09~11
VI. PRECAUTIONS FOR PLACING FOOD IN THE REFRIGERATOR	12
VII. MAINTENANCE METHODS	12
VIII. TROUBLESHOOTING	13~14
IX. FAQ	15
X. SPECIFICATIONS	16
XI. WARRANTY AND CONSULTATION	17




BATTERY

XII. FOR SAFE USE	18
XIII. PARTS NAME AND HANDLING	19
XIV. USING AND CHARGING METHODS	20~22
XV. FAQ	23
XVI. PRODUCT SPECIFICATIONS	23
XVII. WARRANTY AND CONSULTATION	24

I. SAFETY PRECAUTIONS

- Be sure to read the "Safety Precautions" to prevent accidents such as fire, electric shock, and injury.
- Before using the product, please read all of these "Safety Precautions" carefully to ensure proper use.
- After reading, be sure to keep it in a place where you can consult it at any time.
- If you lend the product to someone else, please give the instruction manual together with the product.
- The following symbols are used to classify and explain the types of information that must be observed.

■ Symbol description

Symbol	Meaning
 Warning	Indicates a potentially hazardous situation, if not avoided, which could result in death or serious injury to the user.
 Caution	Indicates a potentially hazardous situation which, if not avoided, may result in injury to the user.
 Note	Important precautions regarding the handling of the product and its accessories, etc.

Warning!

- After opening the package, keep the refrigerator in an upright position for at least 6 hours before powering it on.
- In the event of a malfunction or failure, stop using the refrigerator immediately, turn off the power, and disconnect the power plug from the outlet. Failure to do so may cause smoke, fire, or electric shock.
- Do not block the ventilation openings. Do not insert sticks, wires, or other foreign objects into the ventilation openings.
- Do not pour water on the product. Do not expose the product to rain or use it in a damp or wet place.
- Do not use flammable sprays near this product.
- Do not leave this product in a hot place, such as inside a car under the blazing sun.
- Do not store medical supplies or scientific samples in the refrigerator. This is not a precision instrument capable of storing medical supplies.
- Do not store volatile and inflammable materials in the refrigerator.
- Do not handle the AC adapter cord roughly. Do not use a damaged cord.
- Use only the batteries specified for this product. Use of a battery other than the specified one may cause the battery to explode, resulting in injury or damage.
- Do not place other appliances in the refrigerator except as recommended by the manufacturer.
- Please use it in a horizontal and stable place. Please do not tilt more than 5° backward and forward when running for a long time. Do not tilt more than 45° if running for a short time. Tilting more than 45° will cause malfunction.
- Please ensure good ventilation in the surrounding area during operation and pay attention to the heat dissipation of the compressor without interference. No obstacle should exist within 20cm of the compressor.
- Do not place the product on its side or upside down.

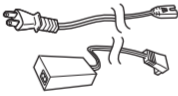
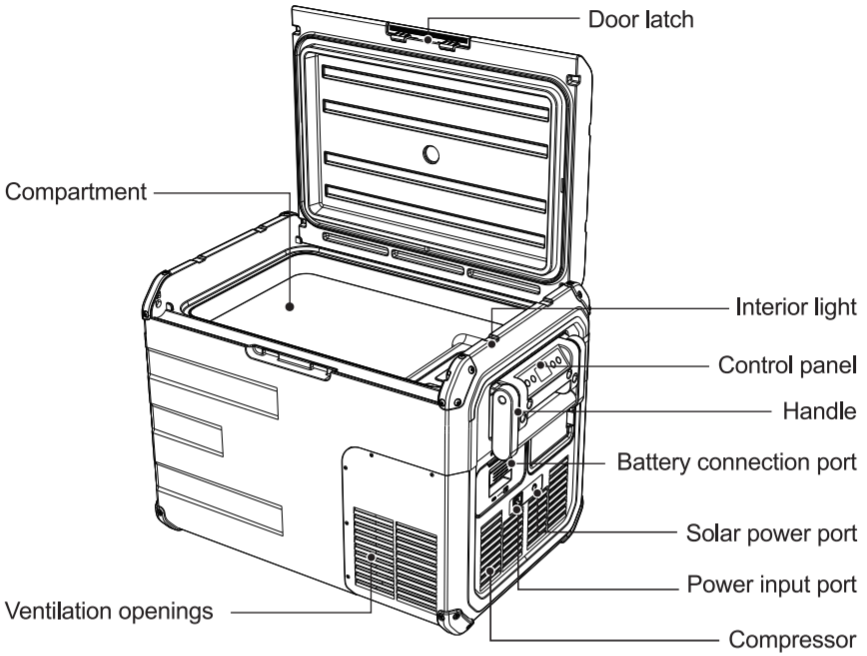
! Caution!

- Do not disassemble or repair this product unless you are a service technician. Doing so may result in fire, electric shock, or injury.
- Installation of direct current (DC) power supplies on a boat should be performed by qualified personnel.
- If you notice anything unusual when using or storing the battery, such as heat, leakage, or deformation, stop using it immediately and move away from it.
- Do not leave the door open. The performance will not be fully exerted.
- Do not allow small children or pets to play with this product. Store it out of the reach of children.
- When disposing of the old product, keep it in a safe place so that children will not be trapped.

ⓘ Note!

- The AC adapter is the preferred method of charging the refrigerator.
- Batteries for this product are sold separately and are not included.
- Always turn off the refrigerator after use before cleaning or maintenance.
- Do not use other methods or apparatus to speed up defrosting unless recommended by the manufacturer.
- Do not put food directly into the refrigerator. Food should be wrapped or placed in a plastic bag because they are not treated with an antibacterial treatment.
- If the appliance is not used for a long period of time, wipe the interior with alcohol disinfectant spray and store it dry.
- If the battery is stored for a long time, it will discharge naturally due to its characteristics. Please check the remaining battery level before use.
- If the battery is left on for a long time, the cycle of discharging and charging will be repeated. If the battery is not a power source, take it out as soon as possible after it is fully charged, because this will accelerate the aging of the battery .
- Before connecting the DC power cable, please verify that the fuse rating for the vehicle's cigarette lighter socket or DC port is $\geq 10A$.
- Do not use a car inverter with a rated power exceeding 200W to power the refrigerator, as this may cause the fuse to blow.
- Never use a fuse exceeding the vehicle's specified rated value, as this may lead to circuit overheating and fire hazards (The DC power cable includes a built-in 15A fuse to protect the refrigerator's internal circuitry)

II.PARTS NAME AND STANDARD ACCESSORIES



AC Adapter



DC Power Cord



Manual (Warranty)

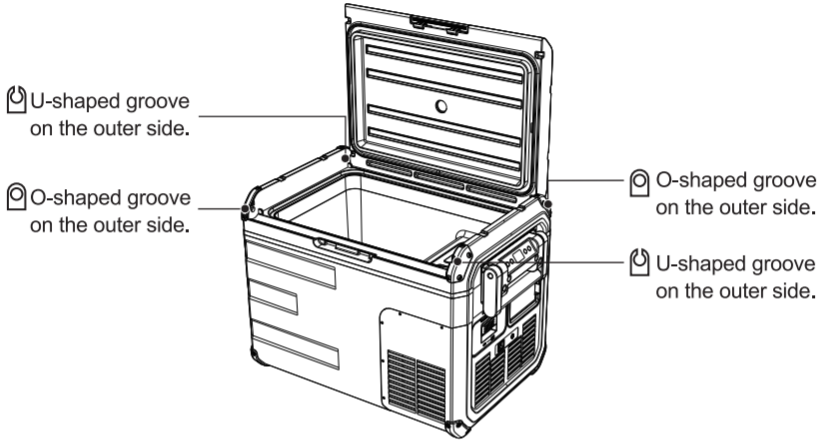
Note:

Battery for car refrigerator is not included. It needs be purchased separately.

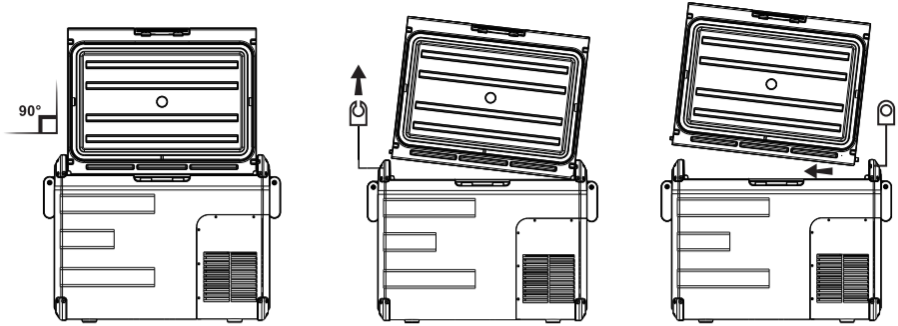
III. CHANGING THE DOOR OPENING AND CLOSING DIRECTION

The opening and closing direction of the door can be changed depending on the environment in which it is installed. To change the open/close direction, follow the steps below.

※Do not pull the door up at an angle or apply excessive force. Doing so may cause damage.

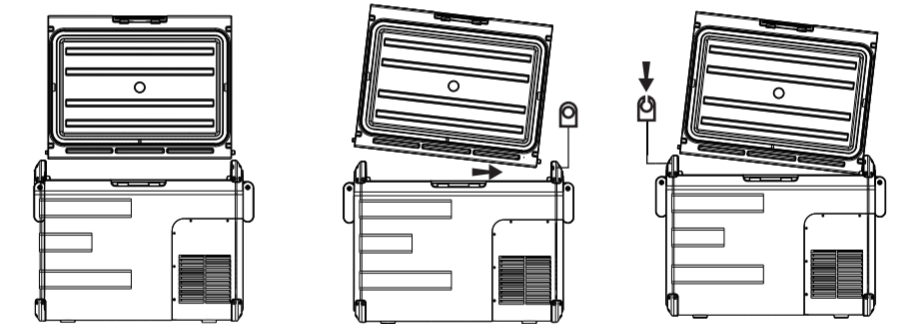


1. How to remove the door:



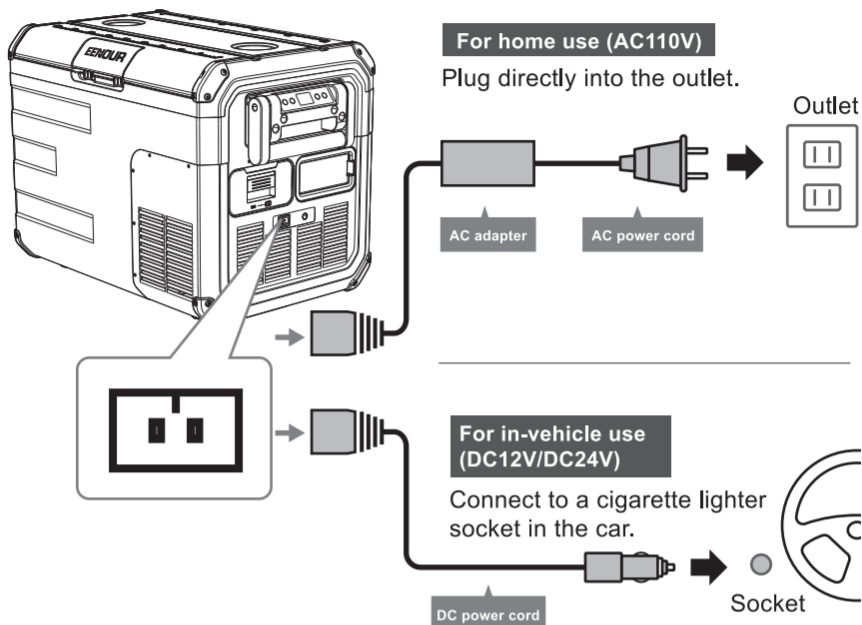
- ① Turn the door 90 degrees.
- ② Pull up the outer shaft of the door from the U-shaped groove and remove it.
- ③ Pull out the shaft on the back side of the door from the O-shaped hole and remove it.

2. How to install the door:

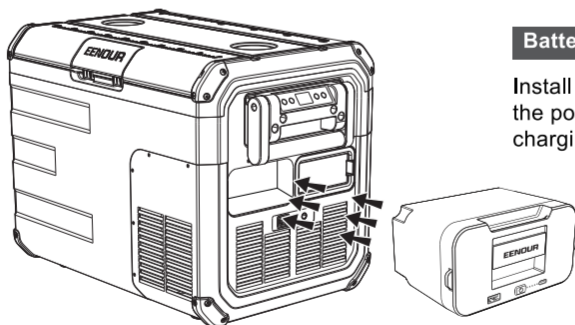


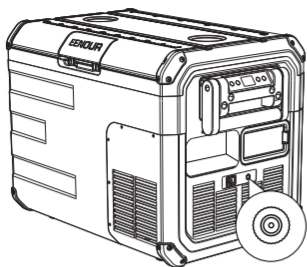
- ① Stand the door at 90 degrees.
- ② Insert the shaft on the back side of the door, aligning it with the O-shaped hole.
- ③ Press the outer shaft of the door in line with the U-shaped groove.

IV. POWER SUPPLIES



•When using a DC cord to supply power, different vehicles may give different output voltages. If the voltage protection shows E1, this can be remedied by adjusting the battery protection level from 'H' to 'M' or 'L'.



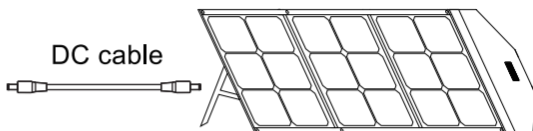


Size: DC5521.

(outer diameter 5.5mm, inner diameter 2.1mm)

Solar charging
(maximum input voltage: 30V)

After assembling the battery, connect it to the solar panel.



*Be sure to attach the dedicated battery to the refrigerator before charging with the solar panel.

*Solar panel and dedicated battery are not included.

1. Dedicated battery

The D35 and D45 can be powered by two batteries. (Rated voltage: DC9.6/12.6V)

When the battery is turned on, the battery icon on the LED display lights up.

2. Assuming that two batteries are installed in the refrigerator.

Charging the battery with the adapter that powers the refrigerator:

- ① Connect the adapter to the refrigerator first, then install the battery into the refrigerator, the battery installed first is charged first.
- ② Install the battery into the refrigerator first, then connect the refrigerator to the adapter, the battery on the left will be charged first.

Power the refrigerator with batteries:

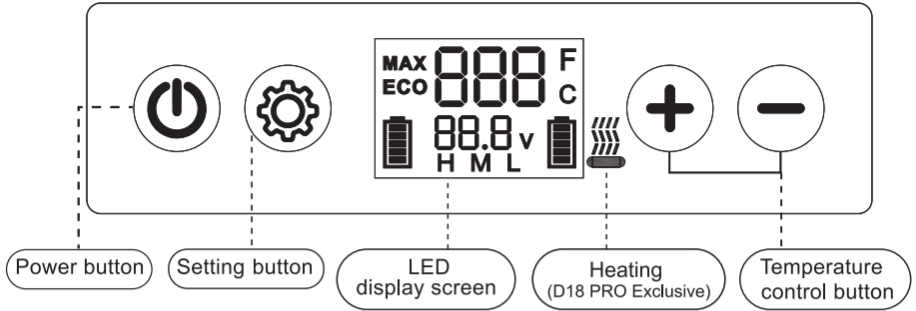
- ① When the two batteries are the only power supply, the battery installed first will power the refrigerator first.
- ② When the refrigerator is powered by the AC adapter and the batteries are installed, if the adapter is removed, the power will switch to the battery which has less power remaining.

※*There are two battery icons. When only one is powered on, only one icon lights up.

If the operating current of the fridge exceeds 4 A, the battery will stop supplying power to the fridge only.

If the solar panel voltage exceeds 30 V, charging to the battery stops.

V.BASIC FUNCTIONS AND USAGE



1. Turn on the power

Press the power button on the control panel to turn on the display screen.
Press the power button once more to turn off the power.

*When the power is turned on, the current internal temperature is displayed.

2. Temperature setting

Press the setting button on the control panel and hold down the "+/-" button to adjust the temperature.

Short press of the "+/-" button allows the temperature to be set in 1°F increments. If you press and hold the +/- button, the temperature changes continuously, allowing you to set the temperature faster. (The temperature changes about 4°F per second.)

※ During adjustment, the screen will blink. As soon as the blinking ends, the temperature setting is complete. It will not blink for a long press.

3. Operation mode

There are two operation modes, MAX (fast cooling mode) and ECO (energy saving mode). When the power is on, press the setting button twice and the operation mode will be displayed as flashing. Press the "+/-" button to select "MAX" or "ECO" according to your preference.

4. Battery protection level

The battery protection level can be adjusted in three levels H/M/L (high/medium/low). When the power is on, press the setting button 3 times, the protection level display will change to flashing. Press the "+/-" button to select H/M/L according to your preference. After adjusting to the desired level, leave it for 3 - 5 seconds and the level switching is completed. (The factory setting is H.)

(1). Input Voltage Reference Table

Input voltage\ level	DC 12V		DC 24V	
	Compressor stops	Compressor runs	Compressor stops	Compressor runs
L	9.6V	10.9V	21.3V	22.7V
M	10.1V	11.4V	22.3V	23.7V
H	11.1V	12.4V	24.3V	25.7V

*Voltage values are for reference only. Please note that there is a possibility of error.

(2). When using in a car, it is recommended to set the battery protection level to "H".

This allows the refrigerator to automatically stop operating when the voltage from the cigarette lighter socket drops, helping to prevent the car battery from draining and the engine from shutting down.

5. Switching the display temperature unit

The temperature unit on the display screen can be switched between Celsius & Fahrenheit.

Method 1

Press and hold "+" and "-" buttons at the same time for 3~5 seconds to switch temperature units.

Method 2

① Turn off the power and press and hold the setting button for 3 seconds.

② "F1" will appear on the screen. Press the setting button will switch the displayed symbols "F1~F3, CF" (from F1 to CF) .

③ Press until "CF" appears. Then press the "+/-" button to adjust to °C or °F. When adjustment is completed, leave the device in a stationary state for 5 seconds, and when the blinking ends, the switching is complete.

*F1 to F3 are to be repaired by an engineer, so customers should not set them without permission!

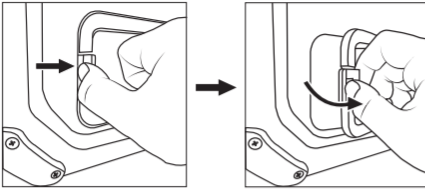
6. Memory function

This product can memorize the last temperature setting.

After pressing the power button, if no other button is pressed for 5 seconds, operation will start at the previously set temperature.

7. Remove the battery cover

Remove the battery cover by pressing the handle on the left side of the battery cover.



8. Heating Function (D18 PRO Exclusive)

(1).Temperature Range Setting: -20°C to 60°C .

(2).Operation:

Heating Mode: The heating indicator light turns on when the ambient temperature is above the set temperature. The heating indicator light turns off when the ambient temperature is below the set temperature.

Cooling Mode: The cooling indicator light turns on when the ambient temperature is below the set temperature. The cooling indicator light turns off when the ambient temperature is above the set temperature.

When the ambient temperature matches the set temperature, neither the heating indicator light nor the cooling indicator light will be on.

VI. PRECAUTIONS FOR PLACING FOOD IN THE REFRIGERATOR

- Please do not put the food directly into the refrigerator. Since there is no antibacterial treatment, please use plastic wrap or put the food in a plastic bag. Please put ice cream and other easy to melt things in the refrigerator after it cools.
- Please note that there is melting depending on the type of ice cream.
- Do not store items with strict temperature control such as pharmaceuticals and academic samples.
- Do not store opened food for a long time. There is a possibility of spoilage and deterioration.
- Do not freeze easily broken items such as bottles. There is the possibility of cracking and injury.
- Do not put too much food at once at environmental temperature. If so, the temperature in the refrigerator will rise.
- Please wrap things with a lot of moisture and heavy fragrance before putting them in.

VII. MAINTENANCE METHODS



Warning!

- Before cleaning, be sure to turn off the power and disconnect the battery, AC adapter, and cigarette socket cord from the product.
- Failure to do so may result in injury or equipment damage.

1. Maintenance

- Open the drain plug in the product and drain the water .
Wipe clean with a dry cloth or a cloth soaked with neutral detergent.
Please never rinse with water.
Please do not wipe with thinner or detergent.
※ Note: There is no drainage hole inside the D10 car refrigerator

2. Defrosting

- To defrost, empty the compartment, turn off the power, and wait until the frost to melt.
Wipe off the melted water with a soft cloth.
※ Note: Do not use sharp or pointed tools for defrosting.

3. When not in use for an extended period of time

- Empty the compartment and turn off the power.
Wipe off any water inside the compartment with a soft cloth.
Leave the door open for several hours.
Keep out of reach of children.

VIII. TROUBLESHOOTING

Inspect the following items before requesting repair.

Problem	Cause/Solution
Does not power on	Plug in the AC adapter and DC car charger and check which one can power the fridge and which one is defective, then please contact support email address:support@eenour.com for a free replacement AC adapter or DC car charger.
Does not cool	Do not open and close the door frequently.
	Put in too much food at once or hot food.
The fridge is hissing	This is normal. It is the sound of refrigerant flowing through the tubes of a cooling system.
Water droplets on door or body	This is a natural phenomenon. Please remove the objects around the refrigerator to create an environment that facilitates heat dissipation.
Refrigerator is noisy	This is a natural phenomenon. Vibration when the compressor is running.
Error Code E1	<p>Cause: Low input voltage activates low voltage protection. Check the input voltage reference table for input voltage range.</p> <p>Solution: Set the battery protection level to M/L (medium/low). If powered by a dedicated battery, first fully charge the dedicated battery; if E1 is displayed, set the battery protection level to L (low).</p>
Error Code E2	<p>Cause: The overload protection is activated because the fan is overloaded beyond the allowable current of the product.</p> <p>Solution: Turn off the power, check the connection wiring, etc., and if there are no problems, restart the machine after 5 minutes.</p>
Error Code E3	<p>Cause: The compressor is frequently turned on and off, which activates the protection device.</p> <p>Solution: Turn off the power and restart it after 10 minutes.</p>

Error code E4	Cause: The compressor is running at a reduced speed or overloaded, which activates the protective device. Solution: Reset the compressor, turn it off, and restart it after 1 hour.
Error code E5	Cause: Insufficient heat dissipation activates the overheat protection. Solution: Check if the vent is blocked and place the device in a well-ventilated area (at least 15 cm distance between the vent and the wall). Then turn off the power and restart it after 1 hour.
Error code F6	Cause: The temperature sensor may be loose. Solution: Remove the door and check if the temperature sensor is loose. If there is no problem, please contact the seller.

※If error code E1 is displayed when power is supplied from the battery, remove the battery as soon as possible. Alternatively, charge the refrigerator and battery with an AC adapter or DC power cord.

IX. FAQ

Question 1: Why is the temperature shown on the control panel different from the temperature measured by the thermometer?

Answer: The temperature measured by the thermometer is the air temperature inside the refrigerator. The temperature displayed on the control panel is the NTC temperature of the sides and bottom of the refrigerator where the temperature sensors are attached. The side and bottom temperatures are closest to the displayed temperature. The air temperature is susceptible to environmental influences. Therefore, the temperature displayed on the control panel is different from the temperature measured by the thermometer.

Question 2: Why is the top of the refrigerator cooling slowly?

Answer: Next to the night light, there is a small high shelf. It is a weak cooling area. The reason we designed it this way is that when the refrigerator is set below 32°F, we can put food in there that we don't need to freeze. In addition, cold air is heavier and therefore sinks, which also makes the top of the refrigerator cooling slowly.

Question 3: Why don't plastic bottles freeze?

Answer: The compressor of a car refrigerator rotates slower than that of a domestic refrigerator, so it cools more slowly. The nature of the liquid, the amount, the area in contact with the cold air and the material of the container will also affect the freezing speed. It is recommended to set at -4°F to freeze water.

Question 4: Why is the cooling speed different from what is stated on the product page?

Answer: The cooling speed may be different depending on the usage environment, the type and amount of food or beverages stored. The cooling speed stated on the product page is the cooling speed of an empty refrigerator with an ambient temperature of 77°F.

Question 5: Why is the startup sound loud?

Answer:

1. It may be that the screws are loose due to the bumps during transportation.
2. It may be that a foreign object has fallen in during use.

It is recommended to remove the cover of the back of the refrigerator and re-tighten the screws or remove the foreign objects. For specific operation video, please contact customer service: support@eenour.com.

X.SPECIFICATIONS

Car Refrigerator			
Model	D10PLUS	D18PLUS	D23PLUS
Rated Voltage	AC 100-240V (dedicated AC adapter recommended), DC 12V/24V, solar panel (18V-30V)		
Rated Output	36W	38W	45W
Capacity	11QT/10L	19QT/18L	24QT/23L
Noise	≤43dB	≤43dB	≤43dB
Temperature Setting Range	-4~50°F(-20~10°C)	-4~50°F(-20~10°C)	-4~50°F(-20~10°C)
Dimensions (L*W*H)	Approx. 14.8*10.3*17.1in	Approx. 16.1*12.2*17.3in	Approx. 16.1 *12.2 *20.3 in
Weight	Approx. 15.7lb/7.1kg	Approx. 18.7lb/8.5kg	Approx. 20.3lb/9.2kg
Refrigerant (U.S.Exclusive)	R513A	R513A	R513A

Car Refrigerator			
Model	D18PRO	D35	D45
Rated Voltage	AC 100-240V (dedicated AC adapter recommended), DC 12V/24V, solar panel (18V-30V)		
Rated Output	39W	38 W	40W
Capacity	19QT/18L	37QT/35L	48QT/45L
Noise	≤43dB	≤42dB	≤42dB
Temperature Setting Range	-4~140°F(-20~60°C)	-4~50°F(-20~10°C)	-4~50°F(-20~10°C)
Dimensions (L*W*H)	Approx. 16.1*12.2*17.3in	Approx. 24.6*15.6*17.3in	Approx. 24.6*15.6*20.3in
Weight	Approx. 19.8lb/9kg	Approx. 32.0lb/14.5kg	Approx. 34.2lb/15.5kg
Refrigerant (U.S.Exclusive)	R513A	R513A	R513A

XI.WARRANTY AND CONSULTATION

The warranty period for this product is one year from the date of purchase. Specifications of this product are subject to change without notice. Please understand this beforehand.

If you suspect that this product is malfunctioning due to the discontinuation of the electronic components used, please inform us of the following

- ①Date of purchase
- ②Order number and product model number
- ③The circumstances of the malfunction (please explain in as much detail as possible) If you have any questions or need further assistance, please contact the dealer where you purchased the product or the sales contact listed below.

E-mail: support@eenour.net

Website: www.eenour.com

Warranty Card

Model: D10PLUS/D18PLUS/D18PRO/D23PLUS/D35/D45

Product name: EENOUR Car Refrigerator

Date of purchase:

Dealer:

Customer name:

Address:









Telephone number:

Please complete the warranty card and use it for any future warranty service.

XII. FOR SAFE USE

Before using this product, please be sure to read this instruction manual and all labels that come with the product. Please use the battery correctly after mastering all product knowledge, safety information and precautions.

WARNINGS

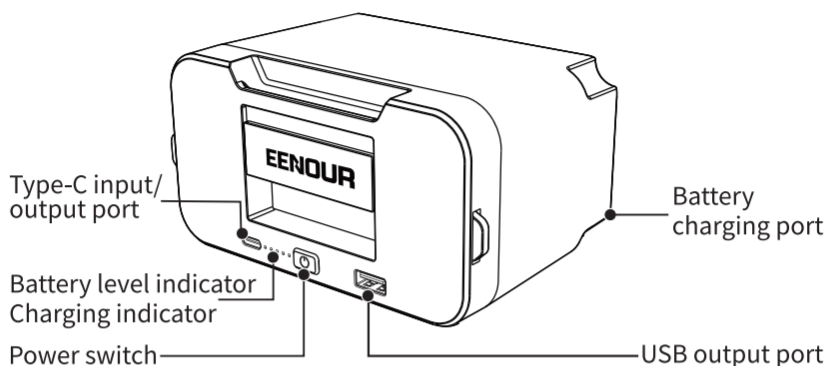
-  **Do not use this product for purposes other than those specified.**
-  **Do not disassemble or modify this product.**
There is a risk of rupture or release of toxic substances.
-  **Make sure the battery charging port is free of debris and dust.**
 - Before use, make sure the battery charging port is free of debris and dust.
 - Make sure that the debris and dust attached to the machine will not fall on the battery charging port during use.
 - During and after use, keep the machine where debris and dust will not fall on it.
-  **Do not expose the battery to rain or water.**
It may cause failure or deterioration.
-  **Do not throw batteries into a fire.**
It may rupture or emit toxic substances.
-  **If the battery is deformed, do not use it.**
If it is attached to the main body of the refrigerator, it may cause a short circuit, which may lead to smoke or fire.
-  **Keep batteries fully charged before storing them.**
It may deteriorate, resulting in significantly shorter usage time or failure to charge.
-  **Please use our brand batteries**
Use, disassembly or modification of batteries not specified by us (including disassembly of the battery, replacement of the battery and other internal parts) will void the safety and product performance warranties. In such cases, the product will not be warranted.

•Do not leave the battery on for long periods of time.

When the external power supply is supplying power to the refrigerator and charging the battery, keeping the battery on for a long time will repeat the process of discharging and charging, which will accelerate the aging of the battery. Please take out the battery as soon as possible after it is fully charged.

XIII. PARTS NAME AND HANDLING

Parts name



Handling

1. Charging indicator

When the battery is charging, the charging indicator turns green. When the battery is fully charged or when it is not charging, it turns blue.

2. Power switch

Press and hold the power switch to turn the power ON. Another long press to turn the power OFF.

3. Battery level indicator

When the power switch is pressed briefly, the indicator light turns on blue to show the remaining battery level. The light will turn off after approximately 3 seconds. Note: When using a product with battery level indication function, the level indication on the product side and the battery side may be different.

XIV. USING AND CHARGING METHODS

Charging methods

1. Charging in the car refrigerator

Our car refrigerator can support battery charging function. When the car refrigerator is connected to external power and turned on, the battery is installed and starts charging when the power switch is pressed.

Install the battery in the main unit while connected to a 110V AC household power source or a 12V/24V DC vehicle power source.	Refrigerator power switch	Battery charging	Refrigeration function activated	Charging time
	OFF	✓	✗	About 6-8 hours
	ON	✓	✓	

Note:

- ① Depending on the usage environment and the condition of the battery, the charging time may be extended.
- ② When charging with 12V car power, in order to ensure that the battery can be fully charged, the output voltage is required to be higher than 12.9V, otherwise it can only charge 80% of the battery.

◆ Charging steps

- ① Connect the power supply to the car refrigerator.
- ② Install the battery into the car refrigerator and turn on the battery.
- ③ When charging is finished, remove the battery from the refrigerator.

2. Charging with AC adapter (not included)

This product is equipped with the function of PD3.0 fast charging. If you want to charge with AC adapter, the following specification charger is recommended.

AC Adapter	60W PD Charger	Rated Voltage	5V-20V with PD3.0
Type	USB Type-C	Maximum Current	3A

Note: The charging time for the above specifications is about 4 hours.

◆Charging steps

- ① Plug the AC adapter connector into the battery's input port.
- ② Plug the AC adapter into a 110 V household outlet.
- ③ When charging is complete, unplug the AC adapter.

3.Charging with solar panel (not included)

Solar panel is not included. If you wish to charge the battery with a solar panel, please prepare a solar panel with the following specifications.

Output Voltage Range	12.6V~30V
Output Current Range	≤10A
DC Plug Size	DC-5521(Outer diameter 5.5mm, inner diameter 2.1mm)
Recommended Wattage	100W~120W

Caution:

Do not charge the battery directly from the solar panel. There may be a risk of smoke and fire due to high current.

◆Charging steps

- ① Unfold the solar panel to allow direct sunlight throughout.
- ② Install the battery into the car refrigerator.
- ③ Plug the DC cable of the solar panel into the solar input port of the car refrigerator.
- ④ After charging, remove the battery from the refrigerator.

Explanation of power indication

※Blue light is discharging state, green light is charging state.

Description	LED light status (blue light)						Remaining battery level
	LED5	LED4	LED3	LED2	LED1		
					Green	Blue	
LED 1-5 are always on	●	●	●	●	○	●	100%-75%
LED1-4 is on, LED5 is off	○	●	●	●	○	●	75%-50%
LED1-3 always on, LED4-5 off	○	○	●	●	○	●	50%-25%
LED 1-2 always on, LED 3-5 off	○	○	○	●	○	●	25%-10%
LED1 is always on, LED2 is flashing, LED3-5 is off	○	○	○	◎	○	●	≤10%
“●”Always on “◎”Flashing “○”Off							

Description	LED light status (green light)						Remaining battery level
	LED5	LED4	LED3	LED2	LED1		
					Green	Blue	
LED1 is always on, LED2-5 flashing	◎	◎	◎	◎	●	○	0%-25%
LED1-2 always on, LED3-5 flashing	◎	◎	◎	●	●	○	25%-50%
LED1-3 always on, LED4-5 flashing	◎	◎	●	●	●	○	50%-75%
LED1-4 always on, LED5 flashing	◎	●	●	●	●	○	75%-100%
LED1-5 is always on	●	●	●	●	●	○	100%
“●”Always on “◎”Flashing “○”Off							

Using methods

1. Powering the refrigerator

①After installing the battery in the refrigerator, press and hold the power switch (about 2 seconds) to turn it on. Then the refrigerator emits a beep and the refrigerator enters standby mode.

②Press and hold the refrigerator power switch (about 2 seconds) to turn on the refrigerator. Then you can control the refrigerator.

2. Supply power to other electrical products

The USB jack is attached next to the battery power switch. Plug in the USB connector to charge your smartphone, etc.

XV.FAQ

Question 1: Why the car refrigerator can't charge the battery?

Answer: It could be that the battery is not activated. You can activate the battery by charging it with a PD charger and type-C cable. After activating the battery, you can use the car refrigerator to charge the battery.

Question 2: Why can I charge the battery with the PD charger but not with the car refrigerator?

Answer: The battery needs to be turned on before you can charge it with the refrigerator, you may have forgotten to turn on the battery, please long press the battery power button for three seconds to turn on the battery. If the battery does not charge even after turning it on, please contact customer service: support@eenour.com

XVI.PRODUCT SPECIFICATIONS

Battery		
Model	DB01	
Battery type	18650 lithium battery	
Rated Capacity	15600mAh/170.82Wh	
Rated voltage	10.95V	
Input	TYPE-C	5V-20V/3A (Max 60W)
	Via Refrigerator	9V-12.6V/7.8A (Max 100W)
Output	USB	QC3.0 5V/2.1A, 9V/2A (Max18W)
	Via Refrigerator	0-12.6V/10A (Max120W)
	TYPE-C	5V-20V/3A (Max60W)
Operating temperature range	32~113°F/0~45°C	
Discharge termination voltage	9V	
Dimension	5.71x3.58x2.95in/14.5x9.1x7.5cm	
Weight	2.31lb/1.05kg	

※ Specifications and appearance are subject to change without notice to improve product safety and quality.

※ The figures shown are approximate. They may vary depending on the environment and conditions of use.

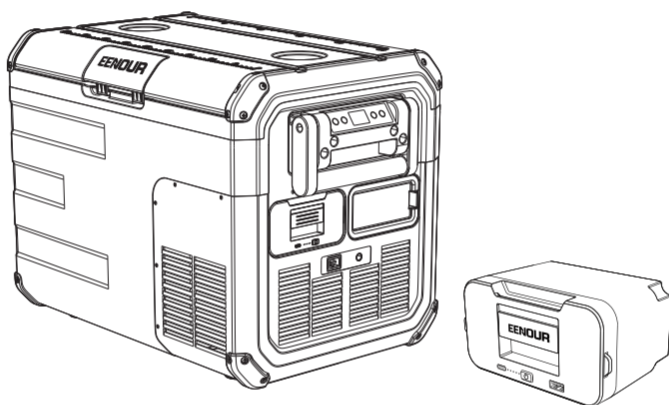
XVII. WARRANTY AND CONSULTATION

- The warranty period for this product is one year from the date of purchase.
- The specifications of this product are subject to change without prior notice. Please be aware of this in advance.
- Production and sales of this product may be discontinued due to discontinuation of manufacturing of electronic parts. Please be aware of this in advance.
- For warranty consultation, please contact us after checking the following items in advance.
 - ① Product name
 - ② Purchase address and order number
 - ③ The condition of the malfunction (Please explain in as much detail as possible. If you consult by e-mail, please attach a photo or video of the relevant fault.)
- If you have any questions or concerns, please contact the seller or the after-sales service below.

E-mail: support@eenour.net

Website: www.eenour.com

EENOUR (イーノウ)



車載冷蔵庫と専用バッテリー 取扱説明書

車載冷蔵庫10L/18L/23L/35L/45L/45L/55L
品番:D10PLUS/D10PRO/D18PLUS/D18PRO/
D23PLUS/D35/D45

15600mAh
専用バッテリー
品番: DB01

この度、本製品をお買い上げ頂きました誠に有難うございます。この取扱説明書をよくお読みの上、正しくご使用ください。特に「安全上のご注意」は、ご使用前に必ずお読みいただき、安全にご使用ください。保証書はこの取扱説明書の裏表紙についています。必ず記入をお受けください。

目次

車載冷蔵庫

一.安全上のご注意	27~28
二.各部の名称および標準付属品	29
三.ドア開閉方向の変更	30~31
四.電源について	31~32
五.基本機能と使い方	33~34
六.食品を入れる際の注意点	35
七.お手入れ方法	35
八.故障診断	36~37
九.よくあるご質問	38~39

専用バッテリー




十.安全にお使いいただくために	40
十一.各部の名称と取り扱い	41
十二.使用方法と充電方法	42~44
十三.よくあるご質問	45
十四.製品仕様	46~47
十五.保証期間およびお問い合わせ	48
十六.保証書	49

車載冷蔵庫

一.安全上のご注意

- ・火災、感電、けがなどの事故を未然に防ぐために、「安全上のご注意」を必ず守ってください。
- ・ご使用前に、この「安全上のご注意」すべてをよくお読みの上、正しく使用してください。
- ・お読みになった後は、お使いになる方がいつでも見られる所に必ず保管してください。
- ・他の人に貸し出す場合は、一緒に取扱説明書もお渡しください。
- ・お守りいただく内容の種類を次の絵表示で区分し、説明しています。

■ 表示の説明

表示	表示の意味
 警告	誤った取り扱いをしたときに、使用者が死亡または重傷を負う可能性が想定される内容のご注意。
 注意	誤った取り扱いをしたときに、使用者が傷害を負う可能性が想定される。
 注	製品および付属品の取り扱いなどに関する重要なお注意。

警告!

- ・開封後、冷蔵庫を6時間以上上向きに静置してから通電してください。
- ・異常・故障時には、ただちに使用を中止し、電源を切り、電源プラグをコンセントから抜いてください。発煙・発火・感電のおそれがあります。
- ・通気口をふさがないでください。また、通気窓に棒や針金などの異物を入れないでください。
- ・本製品に水をかけないでください。また、雨ざらしにしたり、湿った、または濡れた場所で使用しないでください。
- ・本製品の近くで可燃性スプレーを使用しないでください。
- ・炎天下の車内など、高温な場所に本製品を放置しないでください。
- ・庫内に医薬品や学術試料などを入れないでください。医療品の保存可能な精密機器ではありません。
- ・揮発性の引火しやすいものを庫内に入れないでください。
- ・ACアダプタのコードを乱暴に扱わないでください。また、損傷したコードは使用しないでください。
- ・専用のバッテリーを使用してください。指定以外のバッテリーを使用すると、破裂して傷害や損害を及ぼす恐れがあります。
- ・メーカーお勧め以外に、他の電器を庫内に入れないでください。
- ・水平で安定した場所で使用してください。長時間の運転中に前後・左右に5°以上傾けないでください。運転時間が短い場合は45°以上傾けないでください。45°以上傾けると故障の原因となります。

- ・運転中は周囲の良好な換気を確保し、コンプレッサーの放熱が妨げられないよう注意してください。コンプレッサーの周囲20cm以内には障害物がないように空間を設けてください。
- ・本製品を横にしたり逆さまにしたりしないでください。

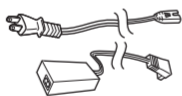
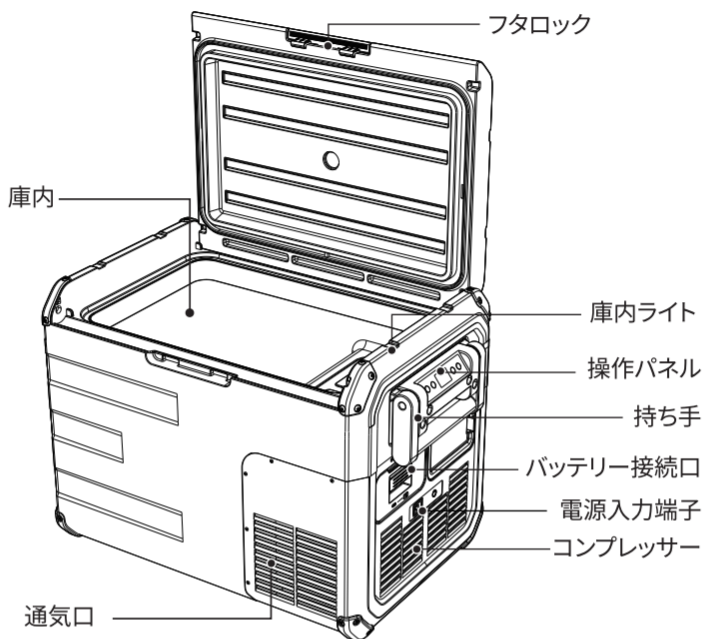
❗ 注意!

- ・修理技術者以外の方は分解や修理をしないでください。火災、感電、けがの原因になります。
- ・船舶への直流(DC)電源の設置は、資格のある方が行ってください。
- ・バッテリーの使用、保管時に発熱、漏液、変形など今までと異なることに気づいたときは、すぐに使用を中止し、近づけないでください。
- ・フタを開けたまま、放置しないでください。性能が十分に発揮できません。
- ・小さなお子様やペットが本製品で遊ばないようにしてください。また、保管する際はお子様の手の届かない場所に保管してください。
- ・古い製品を廃棄する場合は、子供が閉じ込められないように、安全な状態で保管してください。

① 注!

- ・冷蔵庫の最優先の給電方式はACアダプターです。
 - ・本製品用のバッテリーは別売りで、付属しておりません。
 - ・清掃やメンテナンスをする前に、使用後に、必ず冷蔵庫の電源を切ってください。
 - ・メーカーお勧め以外、他の方式や器械で霜取りのスピードを加速しないでください。
 - ・食材を直接庫内に入れないでください。抗菌処理されていないので、食材はラップするか、ポリ袋などに入れてください。
 - ・長期間使わない場合は、庫内をアルコール除菌スプレーなどで拭き掃除し、よく乾燥させるようにして保管してください。
 - ・バッテリーが長期保管の場合、特性による自然放電されます。使用前残量を確認ください。
 - ・バッテリーを長期間につけっぱなしに放置すると放電・充電の作業が繰り返されます。バッテリーの老化を加速されますので、バッテリーが電源でない場合は、フル充電した後できるだけ早めに取り外してください。
 - ・DCケーブルで給電する前に、シガーソケット/DCポートのヒューズ規格が10A以上であることを確認してください。
 - ・ヒューズの焼損を防ぐため、200Wを超える定格出力の車載インバーターで冷蔵庫に給電しないでください。
 - ・規定の定格値を超えるヒューズの使用は絶対に避けてください。配線の過熱や火災の原因となるおそれがあります。
- ※本品のDC電源ケーブルには冷蔵庫自体を保護するため、内蔵ヒューズ(15A)が装備されています。

二.各部の名称および標準付属品



ACアダプター



DC電源コード



説明書(保証書)

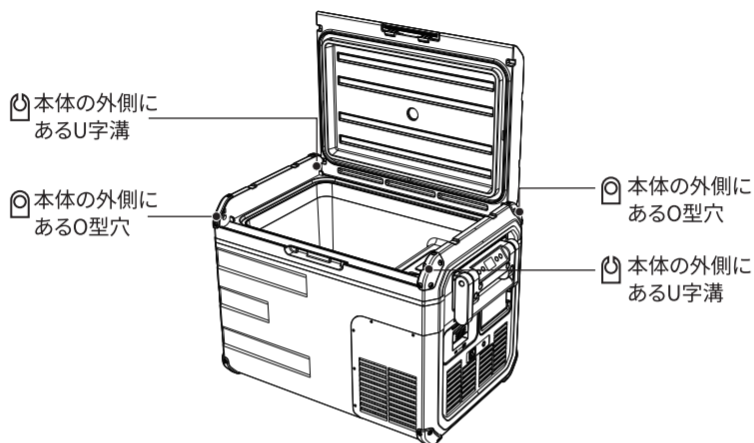
ポイント:

車載冷蔵庫用バッテリーは付属しておりません。別購入する必要があります。

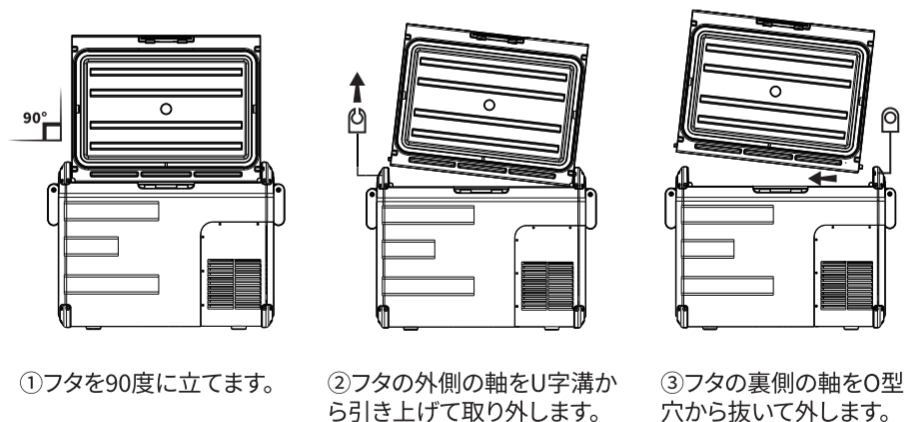
三.フタ開閉方向の変更

フタが設置場所の環境によって開閉方向を変更することができます。開閉方向を変更する場合は、以下の手順に従ってください。

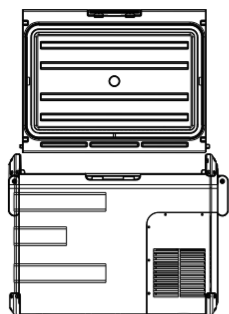
※斜めに引き上げたり、無理な力を加えないでください。破損の原因になります。



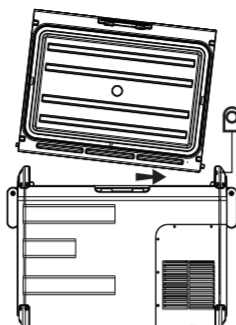
1.フタの外し方：



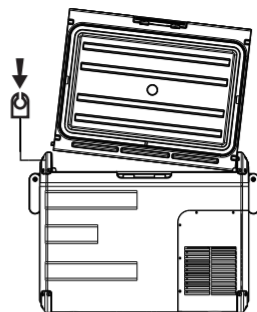
2.フタの取付方：



①フタを90度に立てます。

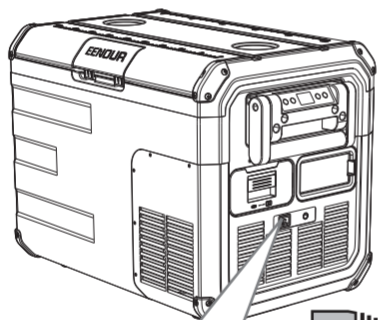


②フタの裏側の軸をO型穴に合わせて差し込みます。



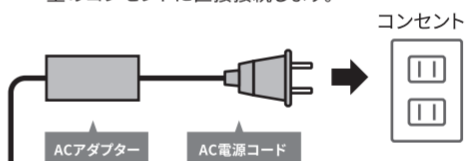
③フタの外側の軸をU字溝に合わせて押し込みます。

四.電源について



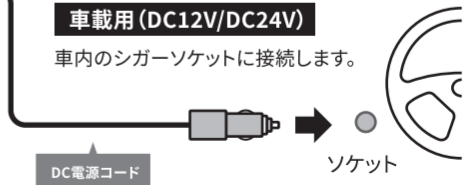
家庭用 (AC100V)

壁のコンセントに直接接続します。

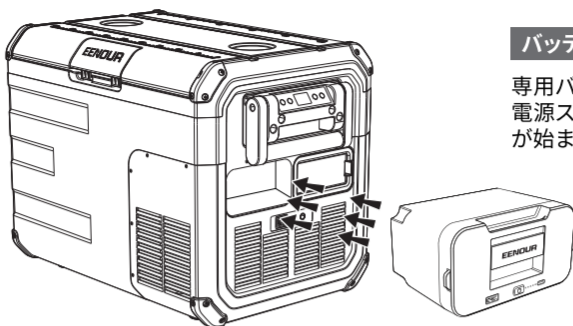


車載用 (DC12V/DC24V)

車内のシガーソケットに接続します。

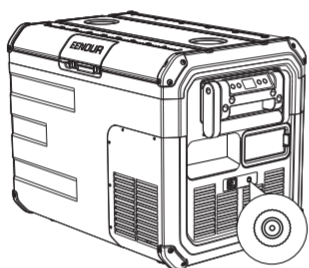


・DCコードで給電する場合、車による違う出力電圧を与える可能性があります。電圧保護でE1が表示されず場合は、バッテリー保護レベルを「H」から「M」や「L」に調節すれば改善できます。



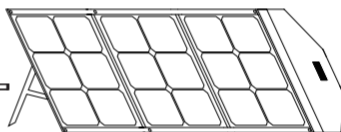
バッテリー給電(10.95V)

専用バッテリーを取り付け、電源スイッチを押すと、充電が始まります。



サイズ:DC5521
(外径5.5mm内径2.1mm)

DCケーブル



ソーラー充電(最大入力電圧:30V)

専用バッテリーを取り付けた後、ソーラーパネルに接続します。

※ソーラーパネルで充電する前には、必ず専用バッテリーを本体に取り付けてください。
※ソーラーパネルと専用バッテリーは付属しておりません。

1.専用バッテリーについて

D35とD45は二つのバッテリーが装着可能です。(定格電圧:DC9.6/12.6V)
バッテリーを装着している時、LEDディスプレイのバッテリーアイコンが点灯します。

冷蔵庫経由でのバッテリー充電仕組み

- ①冷蔵庫の電源を入れ、その後バッテリーを取り付けます。先に付けたバッテリーが優先的に充電します。
- ②2つのバッテリーを先に冷蔵庫に付け、その後冷蔵庫の電源を入れる場合には、優先的に左のバッテリーを充電します。

バッテリーで冷蔵庫に給電する

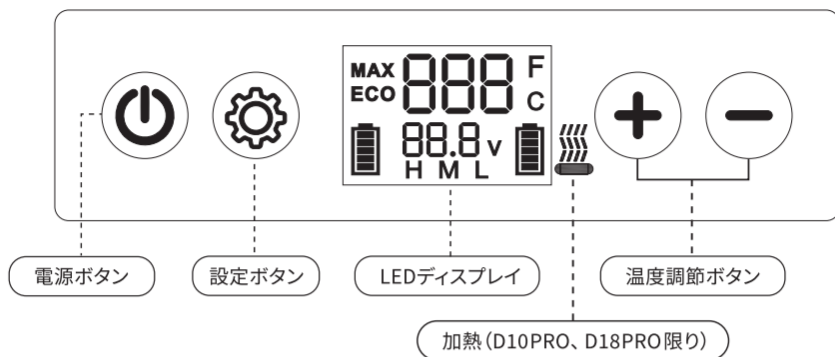
- ①バッテリーで冷蔵庫に給電する場合には、先に付けたバッテリーが優先的に給電します。
- ②バッテリーが付けてる場合には、冷蔵庫本体のアダプターを抜くと、残量の少ないバッテリーが優先的に給電します。

※二つのバッテリーアイコンがあります。一つだけ装着してる時は1つのアイコンだけ点灯します。

冷蔵庫の作動電流が4A以上超えた場合、バッテリーの給電が停止し、冷蔵庫だけに給電します。

ソーラーパネルの電圧が30V超えた場合、バッテリーへの充電が停止します。

五.基本機能と使い方



1. 電源を入れる

電源ボタンを3秒ぐらい長押しすると、表示画面が点灯されます。
もう一回電源ボタンを3秒ぐらい長押しすると、電源を切ります。
※電源が入ると現在の庫内温度を表示します。

2. 温度設定について

設定ボタンを1回短押し、「+/-ボタン」を短押しすると1°C単位で温度を設定できます。長押しすると連続的に変化し、より早く温度を設定できます。(約毎秒4°C変化します。)
※調節中、画面が点滅します。点滅が終了次第、温度設定は完了です。長押しには点滅しません。

3. 運転モードについて

運転モードはMAX(急速運転)とECO(エコ運転)で2段階調節できます。電源を入れた状態で、設定ボタンを2回短押しすると運転モードが点滅します。「+/-」ボタンを再度押すと「MAX」と「ECO」に切り替わります。希望の運転モードに調節した後、3~5秒放置し、運転モードの切り替わりが完了です。

4. バッテリー保護レベルについて

バッテリー保護レベルはH/M/L(高/中/低)で3段階調節できます。設定ボタンを3回短押し、再度「+/-」ボタンを押すと、「H/M/L」3つのレベルに切り替わります。希望のレベルに調節した後、3~5秒放置し、レベルの切り替わりが完了です。(工場出荷の設定はHです。)

入力電圧参照表

入力電圧/ 保護レベル	DC 12V		DC 24V	
	コンプレッサが止まる	コンプレッサが運転する	コンプレッサが止まる	コンプレッサが運転する
L(低)	9.6V	10.9V	21.3V	22.7V
M(中)	10.1V	11.4V	22.3V	23.7V
H(高)	11.1V	12.4V	24.3V	25.7V

※電圧値は目安です。誤差がある可能性もありますので、予めご了承下さい。

※車で使用される場合は、バッテリー保護レベルを「H」に設定することを推奨いたします。シガーソケットからの電圧が低下すると自動的に冷蔵庫の使用を停止できるため、車のバッテリー上がりでエンジンの停止を防止することができます。

※バッテリーから車載冷蔵庫へ給電する場合、バッテリー保護レベルは自動的にL(低)に設定されます。この際、バッテリー保護レベルをH(高)やM(中)に切り替えることはできません。

一方、コンセントやシガーソケットから車載冷蔵庫へ給電しながらバッテリーを充電する場合、バッテリー保護レベルはH/M/L(高/中/低)のいずれにも切り替えが可能です。

5. 表示温度単位の切り替え

表示画面の温度単位は、摂氏&華氏に切り替わることができます。

方法(1)

電源が入れた状態で、「+」ボタンと「-」ボタンを同時に3~5秒長押しするたびに°Cまたは°Fに調節可能です。調節が完了しましたら、5秒間放置の状態でご点滅が終わると切り替えが完了します。

方法(2)

①電源をOFFにして、設定ボタンを3秒長押し


②画面に「F1」が表示されます。設定ボタンを「F1~F3、CF」に切り替わります。

③CFまで押してください。その後、「+/-」ボタンを押して、°Cまたは°Fに調節可能です。調節が完了しましたら、5秒間放置の状態でご点滅が終わると切り替えが完了します。

※F1~F3はエンジニアの修理をするため、お客様は無断で設定しないでください!

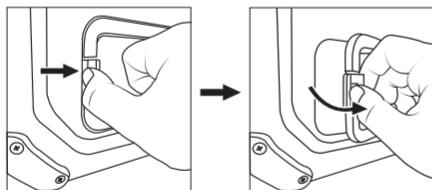
6. メモリ機能

本製品は前回設定した温度を記憶することができます。

電源ボタン  を押してから他のボタンを押さない状態で5秒間続けると、前回設定した温度で運転が開始されます。

7. バッテリーの部屋のカバーを取り外す方法

一側の持ち手を押しながら取り外します。



8. 省エネ設計について

設定温度に到達すると、コンプレッサーが停止し、表示温度が少し下がる後または上がる後に車載冷蔵庫が再起動します。

9. 加熱機能について(D10 PRO、D18 PRO限り)

(1). 設定温度の範囲は-20°C~60°Cです。

(2). モード:

加熱モード: 環境温度より高い温度を設定する時、加熱します。また、加熱表示が点灯します。

冷却モード: 環境温度より低い温度を設定する時、冷却します。また、加熱表示が点灯しません。

*設定温度は環境温度と同じの時に加熱表示が点灯しません。

六.食品を入れる際の注意点

- ・食材を直接庫内に入れないでください。抗菌処理されていないので、食材はラップするか、ポリ袋などに入れてください。
- ・アイスクリームなど溶けやすいものは庫内を予め冷やしてから入れてください。
- ・アイスクリームの種類によって溶ける場合がありますので注意してください。
- ・医薬品や學術試料など、温度管理が厳密に定められているものを保存することはできません。
- ・開封後の飲食物などを長期保存しないでください。変質・劣化の恐れがあります。
- ・ビン類など割れやすい物は凍らせないでください。割れて、けがをすることがあります。
- ・常温の食品を一度に多く入れないでください。常温の食品や温かい食品を一度に多く入れると、庫内温度が上がります。
- ・水気が多いものや香りの強いものは包んで入れてください。

七.お手入れ方法



警告!

お手入れをする際は、必ず電源を切り、本製品よりバッテリー・ACアダプタ・シガーソケット用コードを抜いてください。
けがや故障の原因になります。

1.本製品のお手入れ

製品中の排水栓を外して、排水口から水を抜きます。
乾いた布が薄めた中性洗剤を付けた布できれいに拭いてください。
水洗いは絶対にしないでください。
シンナー、ベンジン類で拭かないでください。
※車載冷蔵庫D10とコードレス冷温庫D10 PROの庫内に排水口がありません。

2.霜取りについて

霜を取るときは、庫内を空にして電源を切り、霜が溶けるまで待ってください。
溶けた水はやわらかい布で拭き取ってください。
※注:霜取りに鋭利な工具や先のとがった工具を使用しないでください。

3.水抜きについて

庫内(大きい方)に水が溜まった際は、排水栓を左右に揺らしながら取り出し、水抜きを行ってください。また、ご使用後は陰干しをして、十分に乾燥させてから保管してください。

4.長時間ご使用にならない場合

庫内を空にして電源を切ってください。
庫内の水はやわらかい布で拭き取ってください。
ドアを開けて数時間放置してください。
子供の手の届かない場合に保管してください。

八.故障診断

修理を依頼される前に、下記項目を点検してください。

症状	原因/対処方法
冷蔵庫が稼働しない	電源を確認してください。
	操作パネルの電源を確認してください。
	シガーソケットにゴミを取り除いてください。
	車のヒューズを確認してください。
	電源ボタンを頻繁に切り替えると、コンプレッサーの始動が遅れます。
冷蔵庫が冷えない	ドアを頻繁に開け閉めしていないか。
	温かい料理を入れていないか。
	食材を詰め込みすぎではないか。
冷蔵庫の水音	冷媒が流れる音の可能性が高いです。
扉や本体に水滴がある	自然な現象です。冷蔵庫の周りのスペースを開けて放熱しやすいような設置環境を作るようにしてみてください。
冷蔵庫がうるさい	自然な現象です。コンプレッサーが動いている時には振動しています。
エラーコードE1	原因:入力電圧が低いため、低電圧保護が作動します。入力電圧範囲については入力電圧参照表をご確認ください。 対処方法:バッテリー保護レベルをM/L(中/低)にしてください。専用バッテリーから電源を取る場合は、まず専用バッテリーをフル充電してください。E1が表示されるのでしたら、バッテリー保護レベルをL(低)にしてください。
エラーコードE2	原因:ファンは本製品の許容電流以上の負荷がかかるので、過負荷保護が作動します。 対処方法:電源を切って、接続配線などを確認し、問題がなければ5分後に再起動してください。
エラーコードE3	原因:コンプレッサーが頻繁にオンオフにされるので、保護装置が作動します。 対処方法:電源を切って、10分後で再起動してください。
エラーコードE4	原因:コンプレッサーは回転速度が下がり、または過負荷になるので、保護装置が作動します。 対処方法:電源を切って、1時間後で再起動してください。

エラーコードE5	<p>原因:放熱が不十分で、過熱保護が作動します。</p> <p>対処方法:通気口が詰まっているかどうかを確認して、通気性がよい場所(通気口と壁の間15cm以上離せる場所)に置いてください。それから、電源を切って、1時間後で再起動してください。</p>
エラーコードE6	<p>原因:温度センサー端子が緩む恐れがあります。</p> <p>対処方法:コンプレッサーのカバーを外し、温度センサー端子が緩むかどうかをご確認ください。</p> <p>問題がなければお買い上げの販売店までご連絡ください。</p>

※バッテリーから給電する時にエラーコードE1が表示されている場合、バッテリーをなるべく早めに取り外してください。あるいは、コンセントまたはシガーソケットからの給電に変更してください。

九.よくあるご質問

Q1:なぜ電源コードを接続すると、LEDディスプレイは瞬間的にしか点灯しない、本体は電源が入らない状況です？

A1:車載冷蔵庫をオンにする時、電源ボタンを3秒ぐらい長押しする必要があります。

Q2:なぜ温度は上がる場合がありますか？

A2:省エネ設計のため、冷蔵庫は設定温度に達する後にコンプレッサーが停止し、温度が3°C~7°C上がると、再起動します。

例えば、設定温度-10°Cに達した後にコンプレッサーが停止し、温度が-5°Cになると冷蔵庫が再起動します。

Q3:なぜ表示温度は温度計で測る温度と違いますか？

A3:一般的な寒暖計やアルコール温度計は、周囲の温度を測定する器具です。温度計で測る温度は車載冷蔵庫の空間温度(空気温度)で、表示温度は車載冷蔵庫の側面/底部のNTC温度です。側面/底部に感温センサーが付き、側面温度/底部温度は表示温度に最も近いです。空間温度(空気温度)は環境の影響を受けて放散しやすいので、一般的に-15°C±3°Cの範囲内です。

Q4:なぜ車載冷蔵庫D18PLUS・D18PRO・D23PLUS・D35・D45の小さい収納スペースの冷却速度は遅いのですか？

A4:小さい収納スペースは冷却チューブを配列できる空間が少ないです。また、冷気が重くて大きい収納スペースの下に降ります。そのため、小さい収納スペースの冷却速度は遅いです。D35とD45の小さい部屋は冷凍庫として使用できなく、冷蔵室として使用できます。冷凍食品を大きい収納スペースに収納してください。D18PLUS・D23PLUSの小さい部屋は冷凍庫として使用できますが、かなり時間がかかります。

*車載冷蔵庫D18PLUS・D18PROの小さい収納スペースに冷媒配管が三回りしか配列されません。車載冷蔵庫D23PLUSの小さい収納スペースに冷媒配管が四回り半しか配列されません。車載冷蔵庫D35の小さい収納スペースに冷媒配管が一回りしか配列されません。車載冷蔵庫D45の小さい収納スペースに冷媒配管が二回り半しか配列されません。

Q5:なぜペットボトルが凍れませんか？

A5:車載冷蔵庫のコンプレッサーの回転速度は家庭冷蔵庫より遅いので、冷却速度がより遅いです。液体の性質、量、冷気との接触面積や容器の素材も凍結速度に影響します。氷を作る場合は-18°C以下を設定することがおすすめです。

Q6:なぜ冷却速度は商品ページの記載と違いますか？

A6:冷却速度は使用環境、貯蔵品の種類、貯蔵品の量や通気性に影響されるので、異なる場合があります。商品ページに記載されたのは環境温度が25°Cで空っぽの状態でのテスト結果です。

Q7:なぜ作動音がうるさくなりますか？

A7:恐らくネジが緩みました。あるいは、使用中に不注意で何か隙間から内部に入りました。下のカバーを取り外し、ネジを改めてしっかり締めることまたは入れた物を取り出すことがおすすめです。カスタマーサポートを連絡して操作動画を送信させていただきます。

Q8: どうして結露が発生しますか？

A8: 環境湿度は70%を超えれば、結露が発生することは自然現象です。

放熱性と通気性がよい場所に置くことがおすすめです。また、結露が発生する一面は壁や地面から離れます。

Q9: どうして庫内に小さい穴がありますか？

A9: 冷蔵庫の庫内に小さな穴がいくつかあるのは正常な状態です。これは、本体に断熱材である発泡ウレタンを注入する際に、注入が不十分にならないように空気を排出するために小さな穴を開ける必要があるためです。製品の機能には影響ございません。

十.安全にお使いいただくために

ご使用前に必ずこの取扱説明書、および商品本体に貼付されているラベル全てを熟読し、正しくご使用ください。商品の知識、安全の情報そして注意事項の全てに習熟してからご使用ください。

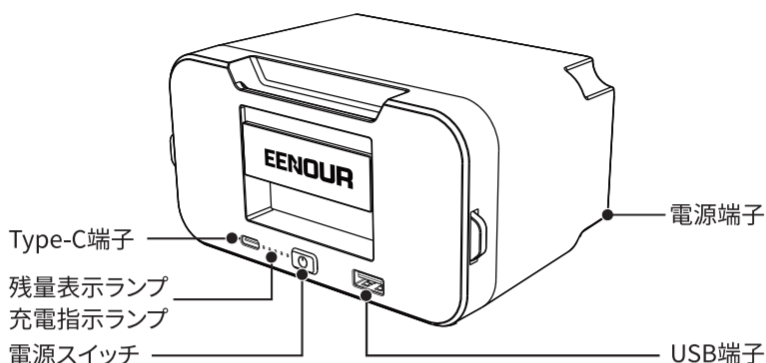
警告

- ⊗ **本製品を指定機器以外の用途に使わないでください。**
- ⊗ **本製品を分解・改造しないでください。**
破裂したり、有害物質の出る恐れがあります。
- ❗ **バッテリーの端子部に、切りくずやほこりがたまらないようにしてください。**
 - ・使用前に、端子部に切りくず、ほこりがたまっていないことを確認してください。
 - ・使用中に、機体に付いた切りくず、ほこりが端子部に降りかからないようにしてください。
 - ・使用中断時、および使用後に切りくず、ほこりが降りかかる場所に機体を放置しないでください。
- ⊗ **バッテリーを雨や水にぬらさないでください。**
故障や劣化の原因になります。
- ⊗ **バッテリーを火の中に投入しないでください。**
破裂したり、有害物質の出る恐れがあります。
- ⊗ **バッテリーの端子部に変形が生じた場合は、使用しないでください。**
冷蔵庫本体に取付けた場合に短絡(ショート)して、発煙・発火の恐れがあります。
- ❗ **バッテリーを保管するときは、満充電にして保管してください。**
バッテリーの残量が少ない状態で長期間(3か月以上)保管するとバッテリーが劣化し、使用時間が著しく短くなったり、充電できなくなる恐れがあります。
- ❗ **新しいバッテリーは、弊社純正品をご使用ください。**
弊社指定のバッテリー以外の使用や分解、改造した物(蓄電池を分解してセルなどの内蔵部品を交換した物を含みます)は、安全性や製品に関する保証はできません。

・バッテリーを長期間につけっぱなしに放置しないでください。
長期間につけっぱなしに放置すると放電・充電の作業が繰り返されます。バッテリーの老化を加速されますので、バッテリーが電源でない場合は、フル充電した後できるだけ早めに取り外してください。

十一.各部の名称と取り扱い

各部の名称



各部の取り扱い

1.充電指示ランプ

バッテリーが充電されている時、充電指示ランプが緑点灯します。充電完了時、または充電しない時は青くなります。

2.電源スイッチ

電源スイッチを長く押すと電源がONされます。もう1回長押しすると、電源がOFFされます。

3.残量表示ランプ

電源スイッチを短く押すと残量表示ランプが青点灯して、バッテリー残量を確認することができます。約3秒後にランプは消灯します。ご注意：残量表示機能のある製品を使用した場合、製品側とバッテリー側の残量表示が異なる場合があります。

十二.充電方法と使用方法

充電方法

1.車載冷蔵庫で充電する

弊社の車載冷蔵庫は、バッテリーの充電機能に対応可能です。車載冷蔵庫の電源が入る時、バッテリーを取り付け、電源スイッチを押すと充電が始まります。

家庭用交流 100V 電源、または直流12V/24V車載電源に接続した状態でバッテリーを本体に取り付ける。	冷蔵庫電源スイッチ	バッテリーの充電	冷蔵機能の作動	充電時間
	OFF	○	×	約6~8時間
	ON	○	○	

ご注意:充電時間は、使用環境やバッテリーの状態により長くなることがあります。

◆充電手順

- ①車載冷蔵庫の電源を接続する。
- ②バッテリーを車載冷蔵庫に取り付け、バッテリーの電源スイッチを入れます。
- ③充電が終わりましたら、冷蔵庫からバッテリーを取り外してください。

2.ACアダプターで充電する(付属なし)

本製品はPD3.0急速充電の機能を搭載しています。ACアダプターで充電したい場合は、下記と同じ規格の充電器を推奨します。

ACアダプター	60W PD充電器	定格電圧	5V-20V PD3.0搭載
コネクタタイプ	USB Type-C	最大電流	3A

備考：上記の仕様の充電時間は約4時間です。

※トリクル充電の充電方式とケーブルの長さや太さにより、充電時間が4時間以上かかる可能性があります。

◆充電手順

- ①ACアダプターのコネクタをバッテリーの入力ポートに差し込む。
- ②ACアダプターのコンセントプラグを家庭用100Vコンセントに差し込む。
- ③充電が終了次第、ACアダプターを抜く。

3.ソーラーパネルで充電する(付属なし)

ソーラーパネルは付属していません。ソーラーパネルでバッテリーに充電したい場合は、下記仕様のソーラーパネルを用意してください。

出力電圧範囲	12.6V~30V
出力電流範囲	≤10A
DCプラグサイズ	DC-5521(外径5.5mm内径2.1mm)
推奨ワット数	100W~120W

備考:ソーラーパネル100Wを使い、理想的な条件での太陽光充電の場合、充電時間の目安は約5~6時間です。

◆充電手順

- ①ソーラーパネルを広げて、全体を直射日光に当てるようにする。
- ②バッテリーを車載冷蔵庫に取付ける。
- ③ソーラーパネルのDCケーブルを車載冷蔵庫のソーラー入力端子に差し込む。
- ④充電が終わったら、冷蔵庫本体からバッテリーを抜き取る。

電量指示説明:

※ブルーランプは放電で、グリーンランプは充電の状態です。

説明	LEDの点灯具合(ブルーランプ)						残量指示
	LED5	LED4	LED3	LED2	LED1		
					グリーン	ブルー	
LED1-5 常時点灯	●	●	●	●	○	●	100%-75%
LED1-4 常時点灯, LED5 消灯	○	●	●	●	○	●	75%-50%
LED1-3 常時点灯, LED4-5 消灯	○	○	●	●	○	●	50%-25%
第 1-2 格常時点灯, 第 3-5 消灯	○	○	○	●	○	●	25%-10%
LED1 常時点灯, LED2 点滅, LED3-5 消灯	○	○	○	◎	○	●	≤10%
“●”常時点灯 “◎”点滅 “○”消灯							

説明	LEDの点灯具合 (グリーンランプ)						充電指示
	LED5	LED4	LED3	LED2	LED1		
					グリーン	ブルー	
LED1 常時点灯, LED2-5点滅	◎	◎	◎	◎	●	○	0%-25%
LED1-2 常時点灯, LED3-5点滅	◎	◎	◎	●	●	○	25%-50%
LED1-3 常時点灯, LED4-5点滅	◎	◎	●	●	●	○	50%-75%
LED1-4 常時点灯, LED5 点滅	◎	●	●	●	●	○	75%-100%
LED1-5 常時点灯	●	●	●	●	●	○	100%
“●”常時点灯 “◎”点滅 “○”消灯							

使用方法

1. 冷蔵庫に給電する

- ① 冷蔵庫に取り付けた後、電源スイッチを長押し(約2秒)でONにします。そして冷蔵庫はピーという音が鳴り、冷蔵庫がスタンバイモードに入ります。
- ② 冷蔵庫の電源スイッチを長押し(約2秒)で電源は入ります。その後、冷蔵庫をコントロール出来ます。

2. ほかに電気製品へ給電する

バッテリー電源スイッチの横にUSB端子が付いてあります。USBコネクタを差し込むことでスマホ等の充電ができます。

十三、よくあるご質問

Q1:なぜ車載冷蔵庫でバッテリーを充電できないですか？

A1:恐らくバッテリーが活性化されません。PD充電器やtype-Cケーブルで充電してください。電池残量の表示ランプが常時点灯できた後、車載冷蔵庫でバッテリーを充電できます。5V/1Aの充電スピードが遅いので、5V/2A以上のPD充電器やtype-Cケーブルを使ってください。

Q2:電池残量は25%以上ありますが、車載冷蔵庫で充電できません。あるいは、車載冷蔵庫へ給電できません。なぜですか？

A2:車載冷蔵庫でバッテリーを充電する時またはバッテリーから給電して車載冷蔵庫を使用する時、バッテリーをオンにする必要があります。バッテリーをオンにする方法は電源ボタンを約3秒ぐらい長押しすることです。バッテリーをオンにした後も充電または給電できなければ、カスタマーサポートにご連絡ください。

Q3:モバイルバッテリーで充電できますか？

A3:車載冷蔵庫の専用バッテリーの電力量は170.82Whです。10000mAh/20000mAh/10000mAh/20000mAh/40000mAhモバイルバッテリーの電力量は37Wh/72Wh/148Whです。

専用バッテリーの電力量はモバイルバッテリーより多いので、専用バッテリーは車載冷蔵庫へ電力を供給する時にモバイルバッテリーで専用バッテリーを充電することをおすすめしません。ポータブル電源がおすすめです。

Q4:バッテリーの残量表示ランプはまだ2個ありますが、車載冷蔵庫の液晶ディスプレイに表示されたバッテリー残量が1個だけあり、E1エラーコードが表示されます。なぜですか？

A4:過放電を防止するために、自動的に適切な電力が残ります。

バッテリーが車載冷蔵庫へ電力を供給できるバッテリー残量を把握したい時、液晶ディスプレイのバッテリー残量表示を確認してください。実なバッテリー残量を把握したい時、バッテリーの残量表示ランプを確認してください。バッテリー残量が2個目盛りの場合、車載冷蔵庫へ給電できないですが、スマホなど消費電力が小さい電気製品へ給電できます。

十四.製品仕様

車載冷蔵庫Dシリーズ

モデル	D10PLUS	D10PRO	D18PLUS
定格電圧	AC 100-240V(専用ACアダプターを推奨)、 DC 12V/24V、ソーラーパネル(18V-30V)		
定格出力	36W	38W	38W
容量	10L	10L	18L
騒音	≤43dB	≤43dB	≤43dB
設定温度	-20~10°C(-4~50°F)	-20~60°C(-4~140°F)	-20~10°C(-4~50°F)
本体寸法(幅*奥行*高)	約375*262*435mm	約375*262*435mm	約410*310*440mm
本体重量	約7.1kg	約7.6kg	約8.5kg
冷却剤	R-134a	R-134a	R-134a

車載冷蔵庫Dシリーズ

モデル	D18PRO	D23PLUS
定格電圧	AC 100-240V(専用ACアダプターを推奨)、 DC 12V/24V、ソーラーパネル(18V-30V)	
定格出力	39W	45W
容量	18L	23L
騒音	≤43dB	≤43dB
設定温度	-20~60°C(-4~140°F)	-20~10°C(-4~50°F)
本体寸法(幅*奥行*高)	約410*310*440mm	約410*310*515mm
本体重量	約9.0kg	約9.2kg
冷却剤	R-134a	R-134a

十四.製品仕様

車載冷蔵庫Dシリーズ

モデル	D35	D45
定格電圧	AC 100-240V(専用ACアダプターを推奨)、 DC 12V/24V、ソーラーパネル(18V-30V)	
定格出力	38W	40W
容量	35L	45L
騒音	≤42dB	≤42dB
設定温度	-20~10°C(-4~50°F)	-20~10°C(-4~50°F)
本体寸法(奥行*幅*高)	約625*395*440mm	約625*395*515mm
本体重量	約14.5kg	約15.5kg
冷却剤	R-134a	R-134a

※以上の冷却剤は日本で販売される車載冷蔵庫に限り使用します。

車載冷蔵庫Dシリーズ専用バッテリー

モデル	DB01	
電池種類	18650リチウム電池	
定格容量	15600mAh/170.82Wh	
定格電圧	10.95V	
入力	TYPE-C	5V-20V/3A (Max 60W)
	冷蔵庫経由	9V-12.6V/7.8A (Max 100W)
出力	USB	QC3.0 5V/2.1A, 9V/2A (Max18W)
	冷蔵庫経由	0-12.6V/10A (Max120W)
	TYPE-C	5V-20V/3A (Max60W)
使用温度範囲	0~45°C	
放電終止電圧	9V	
寸法	14.5x9.1x7.5cm	
重量	1.05kg	

※製品の安全性向上、品質改善のため、仕様・外観を予告なく変更することがあります。

※記載の数値は目安です。使用環境・状況により異なります。

十五.保証期間およびお問い合わせ

- ・本製品の保証期間はご購入日より一年間となります。
- ・本製品の仕様は予告なしに変更する場合があります。予めご了承ください。
- ・本製品は使用電子部品の製造中止で、生産及び販売終了となる場合があります。予めご了承ください。
- ・お問い合わせの際、お客様へ確実に迅速に対応させていただくため、あらかじめ下記の事項をご確認の上、ご連絡ください。
 - ①商品名
 - ②ご購入先及びご注文番号
 - ③故障の状況(できるだけ詳しくご説明ください。メールでお問い合わせいただいた場合は不具合症状に関する写真または動画を添付いただけると幸いです。)
- ・ご不明な点や故障に関するご相談は、ご購入の販売店、または下記営業窓口にお問い合わせください。

メールアドレス

	support@eenour.com
--	--

保証書

品名	EENOUR(イーノウ) 車載冷蔵庫10L/18L/23L/35L/45L/専用バッテリー
品番	D10PLUS/D10PRO/D18PLUS/D18PRO/D23PLUS/ D35/D45/DB01
購入日	年 月 日
保証期間	上記ご購入日より1年間（消耗品を除く）
お客様	ご住所 〒 <input type="text"/> <input type="text"/> <input type="text"/> <input type="text"/> - <input type="text"/> <input type="text"/> <input type="text"/> <input type="text"/>
	電話 ()
	お名前 ----- 様

1. 取扱説明書、注意事項などにしたがって正常な使用状態で故障した場合に限ります。
2. 保証期間内に前項に該当する故障が発生した場合に限ります。
3. 消耗品に関しましては、保証対象外となります。
4. 保証期間内でも次の場合は、有料修理となります。
 - * 本書のご提示がない場合や、購入日、販売店名の記載がない場合。
 - * 使用上の誤り、他店・個人での修理、分解、改造、調整による故障等。
 - * お買い上げ後の移動、落下、天災地変、異常電圧による故障。
5. 保証書の発行により、ご購入者の法律上の権利を制限するものではありません。

免責事項

法律上の請求の原因の種類を問わずいかなる場合においても、本製品の使用または、使用不能から生ずる直接損害、間接損害（事業利益の損失、事業の中断、事業情報の損失等）、特別損害、付随的損害、経済的拡大被害（逸失した利益、ビジネス上の収益、信用あるいは節約すべかりし費用を含む）、他の機器や部品に対するデータの損失または損害、第三者からの賠償請求に基づく損害、身体障害（身体障害に起因する死亡及び怪我を含む）に関して、弊社は一切の責任を負わないものとさせていただきます。

本保証書は再発行いたしません。大切に保管してください。